

Regional District of North Okanagan
Silver Star Watermain Upgrade – Phase 2

#5629.36

Addendum No. 1

Date: June 16, 2017

Number of Pages: 9

Issued By: Monaghan Engineering & Consulting Ltd.

**Attachments: Appendix 1 – Schedule of Quantities and Unit Prices, Addendum #1
Air Release Valve Information
Existing Air Release Valve Detail**

TO ALL BIDDERS OF RECORD

1. General

- 1.1 This addendum is issued as additional information to tenders and is to be acknowledged as part of the Tender Form.

2. Air Release Valves

- 2.1 The air release valve is to be a 1" A.R.I. D-040 as shown on the attached information sheet.
- 2.2 The air release valve is to be installed so that it can be accessed without having to climb into the chamber.
- 2.3 The chamber and lid are to be insulated.

3. 75mm Tie-ins

- 3.1 For the purpose of Tendering, bidders shall assume that all existing 75mm watermain is HDPE.
- 3.2 All new piping beyond the 75mm tie-ins is changed to 100mm diameter C900 PVC and all fittings are changed to 100mm fittings as shown on the attached drawing.

4. Existing Watermain to Remain Active

- 4.1 The existing watermain between the Phase 1 tie-in point (Sta. 1+133.41) and the north tie-in point (4+057.33) is to remain active until the new main through this area can be placed into service. Removal of the existing main throughout this area will not be required.

5. Hydroseed Mix

- 5.1 Hydroseed mix shall be Interior Forestland Mix as per MOTI Standard Specifications Section 757.

6. Tender Form

- 6.1 Attached is Form of Tender – Appendix 1, Addendum #1 which has been modified to reflect all of the above changes. Bidders must use this form when submitted their bids.

End of Addendum # 1

Silver Star Watermain Upgrade Phase 2

5629.36
ADDENDUM #1

SCHEDULE OF QUANTITIES AND PRICES

See paragraph 5.3.1 of the Instructions to Tenderers - Part II.

(All prices and Quotations including the Contract Price shall include all Taxes, but shall not include GST. GST shall be shown separately.)

SUMMARY SHEET

TENDER AMOUNT

31 Earthworks	
32 Roads and Site Improvements	
33 Utilities	
33 11 01 Waterworks	
Miscellaneous	
TENDER PRICE	
GST @ 5%	
TENDER PRICE (including GST)	

Silver Star Watermain Upgrade Phase 2

**5629.36
ADDENDUM #1**

SCHEDULE OF QUANTITIES AND PRICES

(All prices and Quotations including the Contract Price shall include all Taxes, but shall not include GST. GST shall be shown separately.)

<i>Item No.</i>	<i>MMCD Ref</i>	<i>Specification Title</i>	<i>Unit</i>	<i>Quantity</i>	<i>Unit Price</i>	<i>Amount</i>
A.		31 Earthworks				
	31 11 01	Clearing and Grubbing				
A.1	1.4.1, 1.4.2	Clearing and Grubbing	LS	1		
	31 22 01	Site Grading : Landscaping				
A.2	1.4.1	Topsoil Stripping and Reuse	Cubic Metre	750		
	31 23 01	Excavating, Trenching and Backfilling Underground Utility				
A.3	1.10.3	Overexcavating (Provisional) including backfilling	Cubic Metre	20		
	31 24 13	Roadway Excavation, Embankment and Compaction				
A.4	1.8.4	Remove Existing Asphalt	Square Metre	170		
	31 37 10	RipRap				
A.5		Remove & Replace RipRap	LS	1		
31 Earthworks Total						

Silver Star Watermain Upgrade Phase 2

**5629.36
ADDENDUM #1**

SCHEDULE OF QUANTITIES AND PRICES

(All prices and Quotations including the Contract Price shall include all Taxes, but shall not include GST. GST shall be shown separately.)

<i>Item No.</i>	<i>MMCD Ref</i>	<i>Specification Title</i>	<i>Unit</i>	<i>Quantity</i>	<i>Unit Price</i>	<i>Amount</i>
B		32 Roads and Site Improvements				
	32 11 16.1	Granular Sub-Base				
B.1	1.4.3	Granular Sub-Base 300mm Thickness for Roads	Square Metres	370		
	32 11 23	Granular Base				
B.2	1.4.2	25mm Minus Granular Base 150mm Thickness for Roads	Square Metres	370		
B.3	1.4.2	75mm Minus Granular Base 150mm Thickness for Roads	Square Metres	140		
B.4	1.4.2	Well-Graded Base 75mm Thickness Shouldering Aggregate	Square Metres	140		
	32 12 16	Hot-Mix Asphalt Concrete Paving				
B.5	1.5.1, 1.5.2	Asphalt Pavement - 65mm Thickness	Square Metres	170		
B.6	1.5.7	Saw Cut Asphalt or Concrete Pavements	Lineal Metres	60		
	32 92 19	Hydraulic Seeding				
B.7	1.8.1	Hydraulic Seeding (Interior Forestland Mix)	Square Metres	2000		
		32 Roads and Site Improvements Total				

Silver Star Watermain Upgrade Phase 2

**5629.36
ADDENDUM #1**

SCHEDULE OF QUANTITIES AND PRICES

(All prices and Quotations including the Contract Price shall include all Taxes, but shall not include GST. GST shall be shown separately.)

Item No.	MMCD Ref	Specification Title	Unit	Quantity	Unit Price	Amount
C		33 Utilities				
		Waterworks				
	33 11 01	Waterworks				
C.1	1.8.1, 1.8.2	Pipe - 100mm C900 PVC DR18, Native Backfill	Lineal Metres	846		
C.2	1.8.3	Gate Valve - 100mm	Each	10		
C.3	1.8.3	Tee 100x100x100	Each	3		
C.4	1.8.3	Bend 100mm dia, 45 Degree Horiz	Each	4		
C.5	1.8.3	Bend 100mm dia, 22.5 Degree Horiz	Each	5		
C.6	1.8.3	Bend 100mm dia, 11.25 Degree Horiz	Each	13		
C.7	1.8.3	Bend 100mm dia, 5 Degree Horiz	Each	3		
C.8	1.8.3	Bend 100mm dia, 22.5 Degree Vert	Each	6		
C.9	1.8.3	Bend 100mm dia, 11.25 Degree Vert	Each	3		
C.10	1.8.3	Bend 100mm dia, 5 Degree Vert	Each	13		
C.11	1.8.3	Reducer 100mm X75mm diameter	Each	3		
C.12	1.8.3	Cap 75mm dia, c/w Joint Restraint	Each	1		
C.13	1.8.3	Blind Flange 75mm dia	Each	1		
C.14	1.8.5	Air-Release Valve Assembly per MMCD W6	Each	2		
C.15	1.8.13	Tie -In to Ex. 75mm main	Each	3		
C.16	1.8.13	Tie -In to Ex. 100mm main	Each	8		
C.17	1.8.9	Concrete Anchor Blocks	Each	12		
Waterworks Total						

Silver Star Watermain Upgrade Phase 2

**5629.36
ADDENDUM #1**

SCHEDULE OF QUANTITIES AND PRICES

(All prices and Quotations including the Contract Price shall include all Taxes, but shall not include GST.
GST shall be shown separately.)

<i>Item No.</i>	<i>MMCD Ref</i>	<i>Specification Title</i>	<i>Unit</i>	<i>Quantity</i>	<i>Unit Price</i>	<i>Amount</i>
D		Miscellaneous				
		Miscellaneous				
D.1		Remove & Replace Light Standard	LS	1		
D.2		Abandon Air Release Valve Chamber	LS	1		
D.3		Imported Trench Backfill - 75mm Minus PitRun Gravel - OPTIONAL	Cubic Metres	200		
D.4		Traffic Control	LS	1		
Miscellaneous Total						



D-040 2"



D-040 NT 2"



D-040 ST 2"



D-040 3/4" 1"



D-040 LP 2"



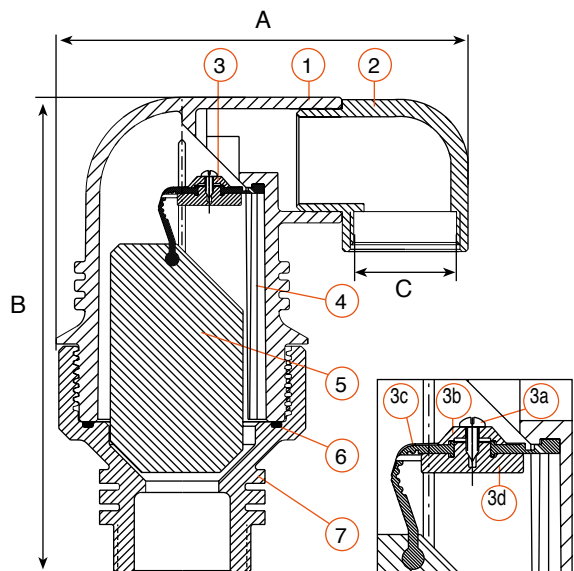
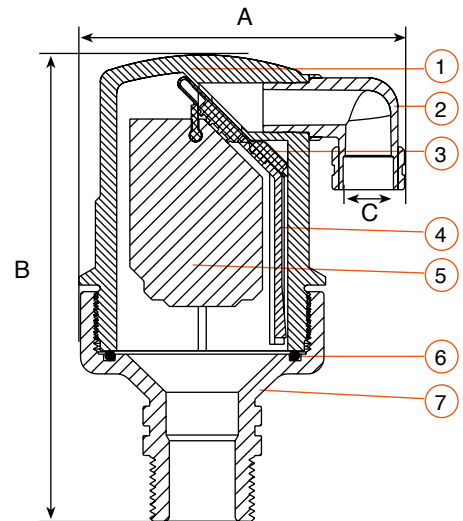
D-040 LP 3/4" 1"

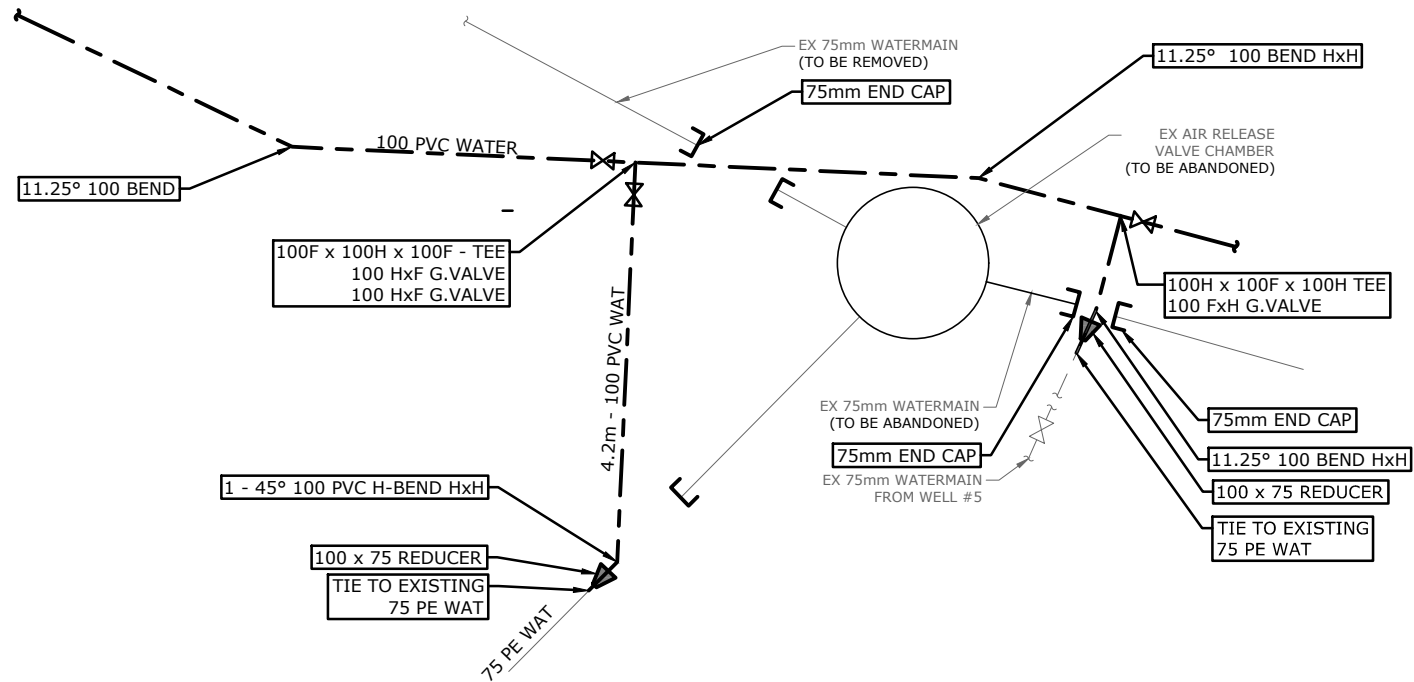
DIMENSIONS AND WEIGHT

Nominal Size	Dimensions inch				Weight Lbs.	Orifice Area Sq.in	
	A	B	internal C	external		A / V	Air Release
D-040 3/4" 1"	3.9	5.5	3/8 NPT	0.86	0.73	0.155	0.012
D-040 2"	7	8.2	1 1/2 NPT	2.16	2.35	1.246	0.018
D-040 NT 2"	5	8.2	1 1/2 NPT	2.16	2.2	1.246	0.018

PARTS LIST AND SPECIFICATION

No.	Part	Material
1.	Body	NSF 61 Certified Reinforced Nylon
2.	Discharge Outlet	NSF 61 Certified Polypropylene
3.	3/4" 1" Rolling Seal	250 psi NSF 61 Certified E.P.D.M 87 psi Silicon
	2" Rolling Seal Assembly:	
3a.	Screws	Stainless Steel
3b.	Plug Cover	NSF 61 Certified Reinforced Nylon
3c.	Rolling Seal	250 psi NSF 61 Certified E.P.D.M 87 psi Silicon
3d.	Plug	NSF 61 Certified Reinforced Nylon
4.	Clamping Stem	NSF 61 Certified Reinforced Nylon
5.	Float	NSF 61 Certified Foamed Polypropylene
6.	O - Ring	NSF 61 Certified NBR 70
7.	Base	NSF 61 Certified Reinforced Nylon / Stainless Steel ASTM A744 CF84





NOTE: ABANDON AIR RELEASE VALVE CHAMBER AS FOLLOWS:
 1. REMOVE CONCRETE COVER AND VENT PIPE, ALL INTERNAL PIPE, FITTINGS, AND APPURTENANCES.
 2. CUT AND CAP EXTERIOR PIPE.
 3. FILL CHAMBER WITH SAND.
 4. PLACE TOPSOIL AND RESEED DISTURBED AREA.

1 - EXISTING AIR RELEASE VALVE DETAIL
 SCALE: 1:75

MONAGHAN
ENGINEERING & CONSULTING LTD.

3710B 28th Street, Ph: (250) 503-1023
 Vernon, BC, V1T 9X2 Fax: (250) 503-1024

project no. 1773.01	date 2017 06 15
projectname SILVER STAR WATERMAIN UPGRADE	
ADDENDUM 1	rev. 0